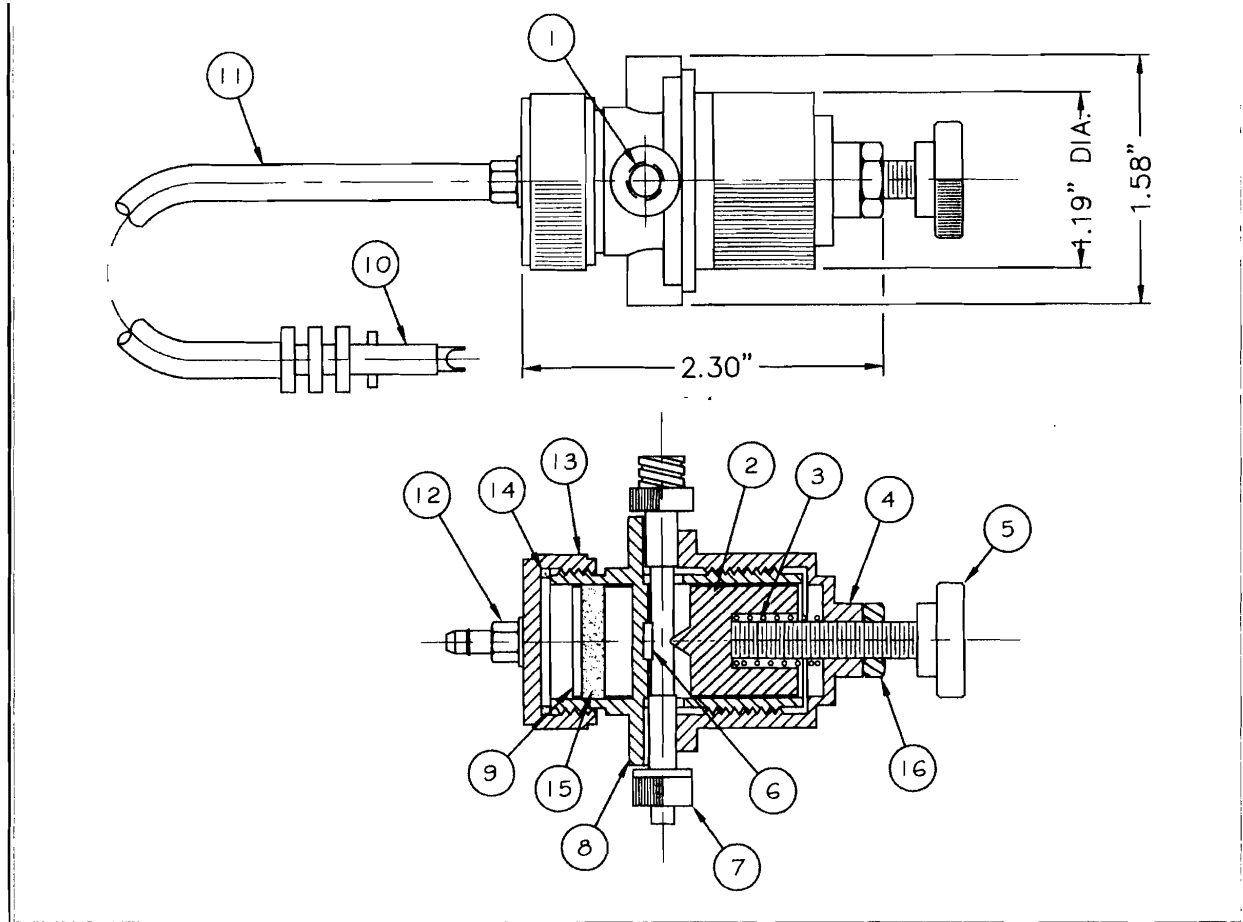


## SCHLAUCHQUETSCHVENTIL 710PT-LF



| NO. | PART NUMBER | DESCRIPTION     | QTY. | NO. | PART NUMBER | DESCRIPTION           | QTY. |
|-----|-------------|-----------------|------|-----|-------------|-----------------------|------|
| 11  | 560705-BULK | TUBING          | 3ft  |     |             |                       |      |
| 10  | 580035H     | CONNECTOR       | 1    |     |             |                       |      |
| 9   | 580027NM-LF | PISTON          | 1    |     |             |                       |      |
| 8   | 580022NM    | BODY            | 1    |     |             |                       |      |
| 7   | 580038A     | DISPENSE TUBE   | 1    |     |             |                       |      |
| 6   | 580026NM    | PINCH CUSHION   | 1    |     |             |                       |      |
| 5   | 580029NM    | ADJ. KNOB       | 1    | 16  | 580036NM    | 1/4-28 JAM NUT        | 1    |
| 4   | 580024NM-LF | FLANGE CAP      | 1    | 15  | 580031NM    | U-CUP SEAL            | 1    |
| 3   | 580028NM-LF | SPRING          | 1    | 14  | 580030NM    | GASKET                | 1    |
| 2   | 580025NM    | SHUT-OFF PISTON | 1    | 13  | 580023NM-LF | CYLINDER CAP          | 1    |
| 1   | 580033NM    | ROD MOUNT       | 1    | 12  | 580032A     | HOSE BARB WITH WASHER | 1    |

DRAWN BY: DARKO KITANSKI

DATE DRAWN: 02/05/2007

FILE NAME: 710PTNM-LF.cdr