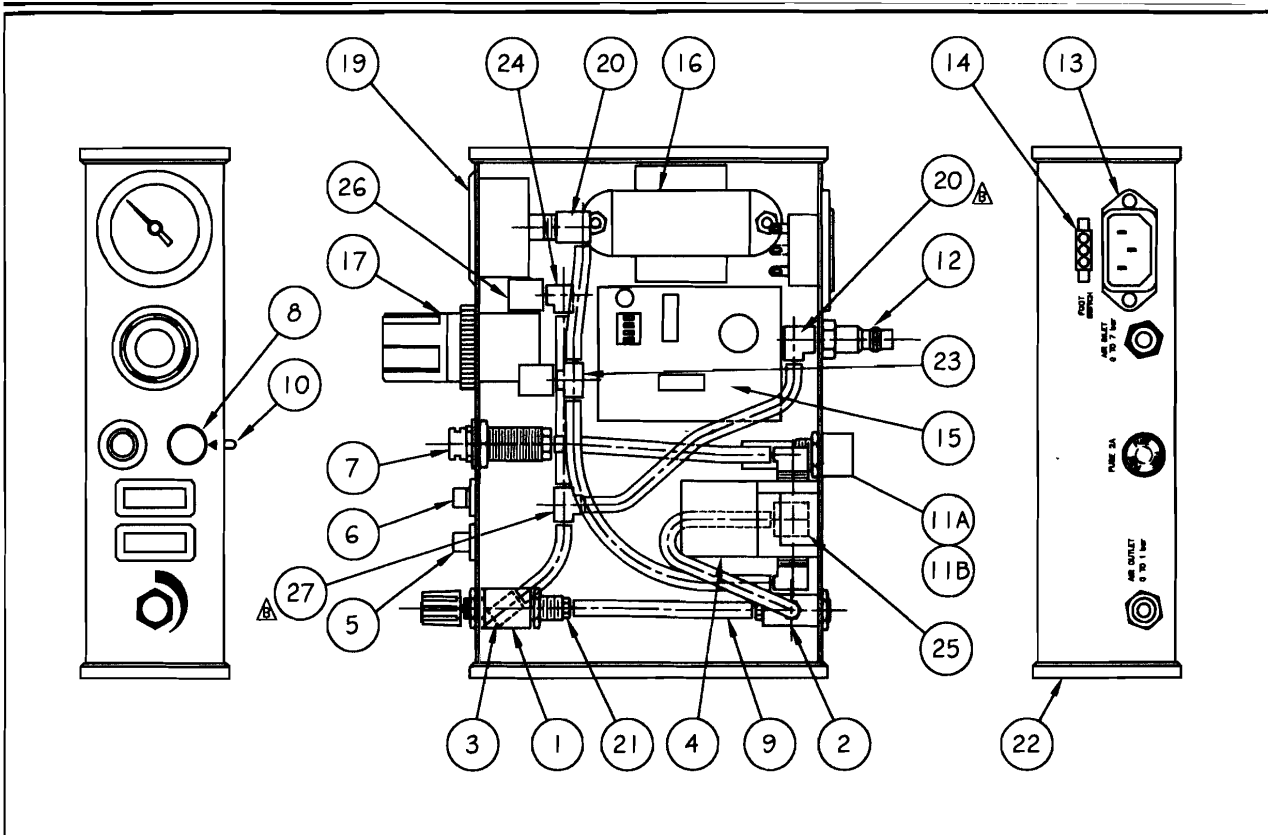






## DOSIERGERÄT DSPE501A



NO.	PART NUMBER	DESCRIPTION	QTY.	NO.	PART NUMBER	DESCRIPTION	QTY.
13	560691	AC RECEPTACLE	1	27	 560906N	NYLON - PLASTIC TEE	1
12	20B1A	AIR INLET FITTING	1	26	560729	STREET ELBOW	2
11B	560025	FUSE, 2A (NOT SHOWN)	1	25	560713	BARBED ELBOW-MALE	3
11A	560689	FUSE HOLDER	1	24	 560732	MALE ELBOW - 1/8 NPT	1
10	560108	LED INDICATOR	1	23	560731	MALE BRANCH TEE	1
9	561415	1/4" O.D. P.E. TUBING	3	22	560680A	SIDE PANEL	2
8	560031A	POTENTIOMETER	1	21	560709	NYLON FITTING	2
7	2004BA	FEMALE QUICK CONNECT	1	20	560728	BARBED ELBOW-FEMALE	 2
6	560026(E)	POWER SWITCH	1	19	561399	GAGE, 0-100 PSI	1
5	560028	STEADY SWITCH	1	18			
4	560029	SOLENOID	1	17	560685B	REGULATOR w/MOUNTING RING	1
3	560687	SWIVEL ELBOW	1	16	560032(E)	TRANSFORMER	1
2	560712	VACUUM TRANSDUCER	1	15	560030	PC BOARD	1
1	560686	NEEDLE VALVE	1	14	560765	PLUG	1

**NOTE:** ALL TUBING IS THE SAME TUBING P/N 561415. THIS TUBING MUST BE ORDERED BY LENGTH (FEET)

DRAWN BY: G.O. BEUTEL

DATE DRAWN: 4/03/98

FILE NAME:

\\DSPE501A.DWG